

AC series explosion-proof bolt

Scope of application

1. Used in Zone 1 and Zone 2; Zone 21 and Zone 22; IIA, IIB, IIC;
2. Temperature group: T1~T6;
3. Suitable for energy saving renovation projects and places where maintenance and replacement are difficult;
4. Widely used in petroleum exploitation, refining, chemical industry, military industry, textile, food processing and offshore oil platform, tanker and other places of lighting.

Feature of product

1. Aluminum alloy die-casting shell, after high-speed shot peening, the surface is coated with high-voltage electrostatic spraying, which is corrosion resistant and anti-aging;
2. Exposed stainless steel fasteners with high anti-corrosion performance;
3. Interlocking mechanism is built in the plug, and the plug can be pulled out only after the switch in the socket is disconnected
4. Steel pipe or cable wiring is acceptable.

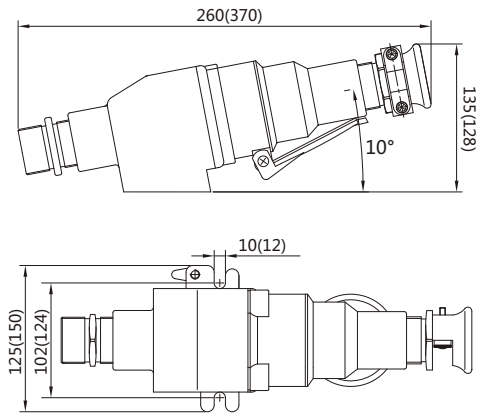


Technical parameter

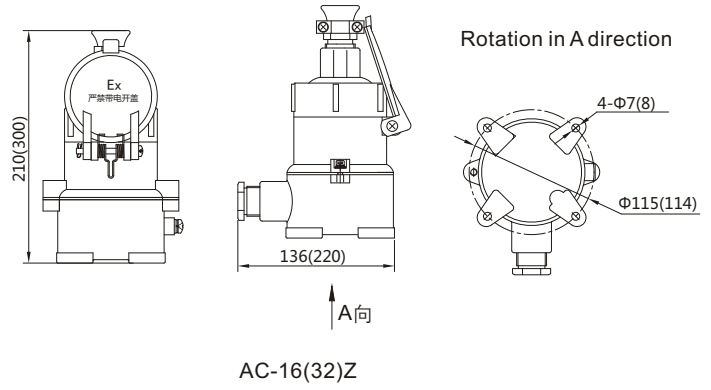
Model	Rated voltage	Rated current	Number of poles	Cable outer diameter	Inlet thread
AC-16/Z	AC220V	16A	1P+N+PE	Φ10~Φ14mm	G3/4
	AC380V		3P+PE		
AC-16/X	AC220V		1P+N+PE		
	AC380V		3P+PE		
AC-32/Z	AC220V	32A	1P+N+PE	Φ15~Φ23mm	G1 1/4
	AC380V		3P+PE		
AC-32/X	AC220V		1P+N+PE		
	AC380V		3P+PE		
AC-63	AC220V	63A	3P+PE	Φ10~Φ14mm	G3/4
	AC380V		3P+N+PE		
AC-125	AC220V	125A	3P+PE	Φ15~Φ23mm	G1 1/4
	AC380V		3P+N+PE		

Explosion-proof mark	Protection class	Corrosion class
Ex db eb II B T6 Gb Ex db eb II C T6 Gb Ex tb III C T80°C Db	IP66	WF1 *WF2

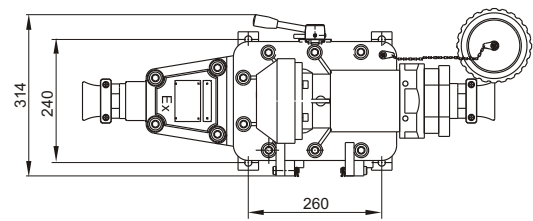
Appearance and installation examples



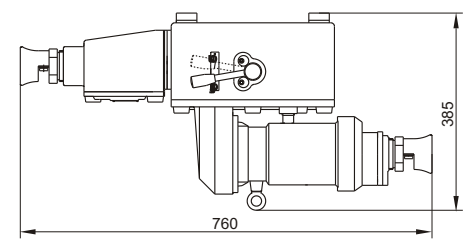
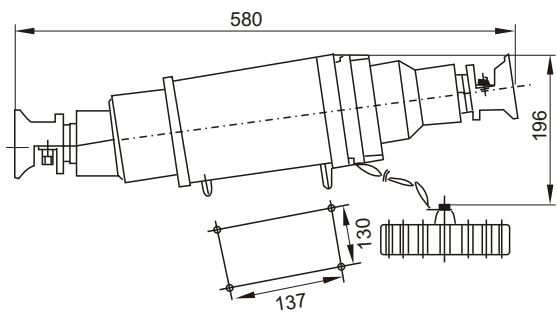
AC-16(32)/X



AC-16(32)Z



AC-63



AC-125

Electrical