

## BBJ series explosion-proof audible and visual alarm

### Scope of application

1. Used in Zone 1 and Zone 2; Zone 21 and Zone 22; IIA, IIB, IIC;
2. Temperature group: T1~T6;
3. Suitable for energy saving renovation projects and places where maintenance and replacement are difficult;
4. Widely used in petroleum exploitation, refining, chemical industry, military industry, textile, food processing and offshore oil platform, tanker and other places of lighting.



Lamps

### Feature of product

1. The shell is made of aluminum alloy die-casting, and the surface is sprayed with high-voltage electrostatic powder;
2. Light structure and elegant appearance;
3. High strength tempered glass lampshade;
4. High brightness red LED is adopted, which has long service life and high brightness;
5. Remove the wiring of the built-in buzzer and it can be used as a warning light;
6. Exposed fasteners shall be made of stainless steel;
7. Steel pipe cable wiring.

### Light source parameters

1. 10W rotary warning light ordinary diode, high brightness LED lamp bead;
2. Number of flashes: (150/min)

Sound source parameters

Sound intensity: > 90-180dB;

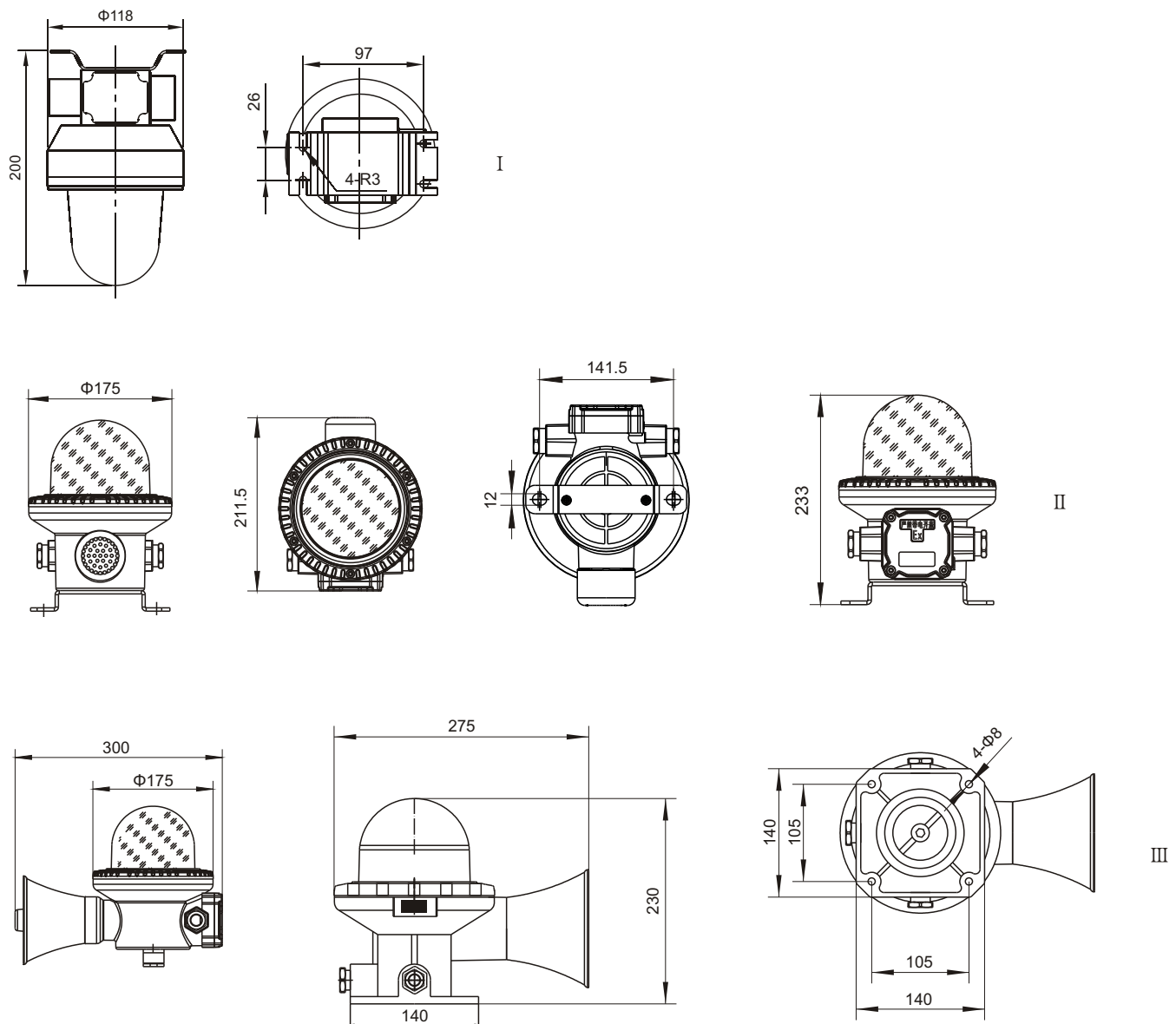
### Technical parameter

Model	Explosion proof sign	light source	Lamp type	Power (W)	Rated voltage	Number of flashes (times/min)	Sound intensity (dB)	Weight (kg)
BBJ-□	Ex db eb IIB T6 Gb Ex db ib IIC T6 Gb Ex tb IIIC T80°C Db Ex ib IIIC T80°C Db	LED	I	10W	AC/DC24 AC/DC36 ~ 220V	150	90	1.1
			II				120	3.1
			III				180	3.4

## Technical parameter

Inlet thread	Cable outer diameter	Degree of protection	Anti corrosion grade
G3/4	Φ10~Φ14mm	IP66	WF2

## Appearance and installation example



Lamps