

BAF series explosion-proof axial flow fan

Scope of application

1. Used in Zone 1 and Zone 2; Zone 21 and Zone 22; IIA, IIB, IIC;
2. Temperature group: T1~T4;
3. Suitable for energy saving renovation projects and places where maintenance and replacement are difficult;
4. Widely used in petroleum exploitation, refining, chemical industry, military industry, textile, food processing and offshore oil platform, tanker and other places of lighting.
5. Indoor and outdoor.



Feature of product

1. This series of ventilators adopts the three dimensional flow theory of turbomachinery, and the test data is carefully designed to ensure the excellent aerodynamic performance of the ventilator, which is characterized by low noise, high efficiency, small vibration, low energy consumption, etc;
2. The ventilator is composed of explosion-proof motor, impeller, air duct, protective cover shutter, etc;
3. Steel pipe or cable wiring.

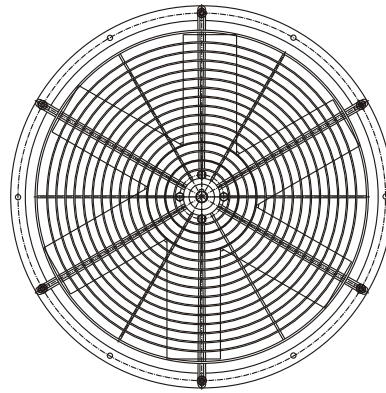
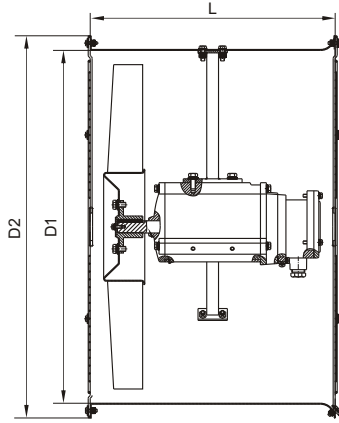
Technical parameter

Explosion proof sign	Degree of protection	Cable outer diameter	Inlet thread
Ex db II BT4 Gb Ex db II CT4 Gb Ex tb III C T135°C Db	IP54	φ 10-φ 14	M26×1.5 or G¾

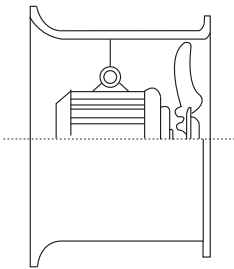
Model Selection Table

Model	Impeller diameter (mm)	Motor power (kW)	Rated voltage (V)		Rated speed (r/min)	Air volume (m³/h)	Default air outlet direction	Anti corrosion grade
			three-phase	single-phase				
BAF-200	200	0.09	380	220	2800	1230	Front end of impeller	WF1、WF2
		0.06			1450	618		
BAF-300	300	0.18			1450	1440		
BAF-400	400	0.25			1450	2800		
BAF-500	500	0.37			/	1450		
BAF-600	600	0.55	1450	8700				

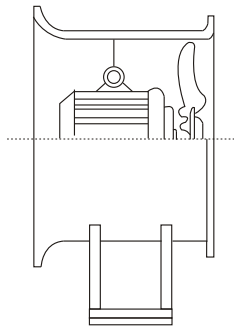
Appearance and installation examples



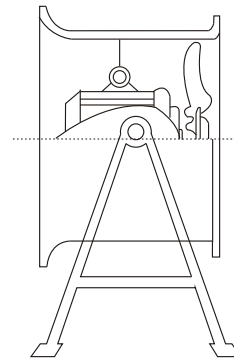
Ventilation



B - Wall type



G-Fixed



L-post type

Machine No	L(mm)	D1(mm)	D2(mm)
200	310	210	250
300	310	310	355
400	330	410	465
500	330	510	565
600	330	610	665