

BED51 explosion proof LED floodlight

Scope of application

1. Used in Zone 1 and Zone 2; Zone 21 and Zone 22; IIA, IIB, IIC;
2. Temperature group: T1~T6;
3. Suitable for energy saving renovation projects and places where maintenance and replacement are difficult;
4. Widely used in petroleum exploitation, refining, chemical industry, military industry, textile, food processing and offshore oil platform, tanker and other places of lighting.



Feature of product

1. The radiator is designed to be made of special cast aluminum alloy by die-casting, and its surface is sprayed with high voltage static electricity;
2. Exposed stainless steel fasteners with high corrosion resistance;
3. Separate structure of light source cavity and power supply cavity;
4. Specially designed light distribution system, with high light utilization rate, reasonable light distribution, uniform illumination and no glare;
5. The junction box is of labyrinth structure, equipped with silicone rubber sealing strip, firmly pasted, and of high protection grade;
6. Toughened glass made of high-strength material, with strong impact resistance, thermal shock resistance and high light transmittance;
7. The constant current power supply has wide voltage input and constant current output, and has the protection functions of shunt, surge prevention, overcurrent, open circuit, high temperature, anti electromagnetic interference, etc;
8. Power factor $\cos \phi \geq 0.95$;
9. The combined emergency device can be equipped according to the use requirements. When the power supply is cut off, it can automatically switch to the emergency lighting state;
10. Cable routing.

Featured display



Famous brand chip, reasonably arranged, unidirectional lighting, uniform and soft light, light efficiency $\geq 120\text{lm/W}$, high color rendering $R_a > 70$, long service life, green and environmental protection, color temperature 3000K~5700K.



The adjusting mechanism can adjust the irradiation angle from 0° to 270° .



The fin design of the heat dissipation structure increases the surface area of the heat dissipation, and the air convection groove is set to effectively dissipate the heat of the light source cavity by using the air flow, so as to ensure the long service life of the lamp.



The integrated innovative design of optical components and anti glare components adopts multi-point light distribution, with uniform illumination and no glare; Multi angle options, suitable for places with different installation heights.

Technical parameter

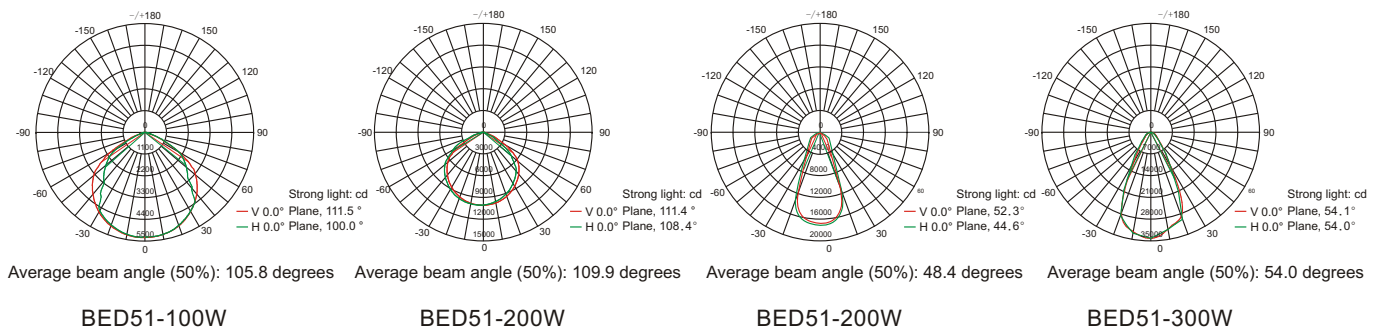
Model	Explosion-proof mark	light source	Lamp type	Power (W)	Luminous flux (Lm)	Color temperature (k)	Weight (kg)
BED51-□	Ex db eb mb II C T5/T6 Gb Ex tb III C T95°C/T80°C Db	LED	I	30~100	3600~12000	3000~5700	7
			II	110~200	13200~24000		11
			III	210~320	25200~38400		17
			IV	350~400	42000~48000		23
			V	450~600	54000~72000		36

Rated voltage/frequency	Inlet thread	Cable outer diameter	Protection class	Corrosion class
220V/50Hz	G3/4	Φ 10~Φ 14mm	IP66	WF2

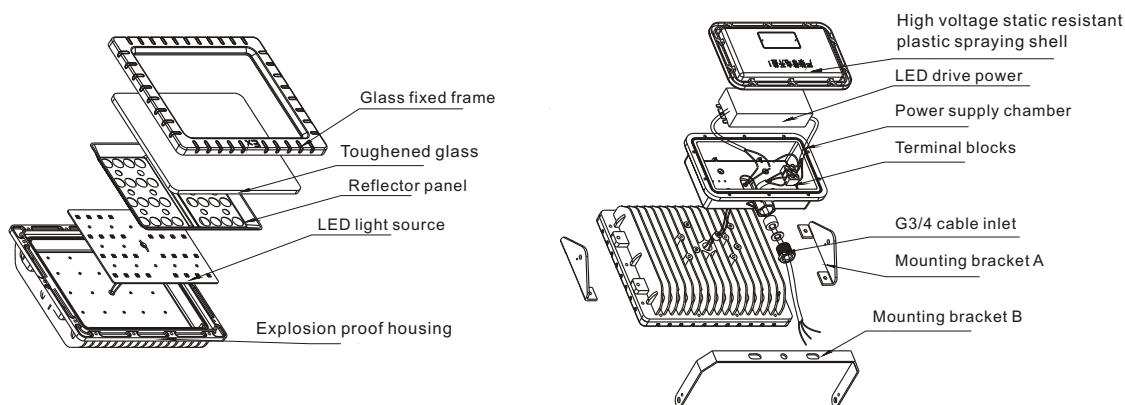
Emergency parameters

Emergency start time (S)	Charging time (h)	Emergency power (within 100W)	Emergency power (within 200W)	Emergency lighting time (min)
≤0.3	24	≤20W	20W~50W Optional	≥60min、≥90min Optional

Light distribution curve

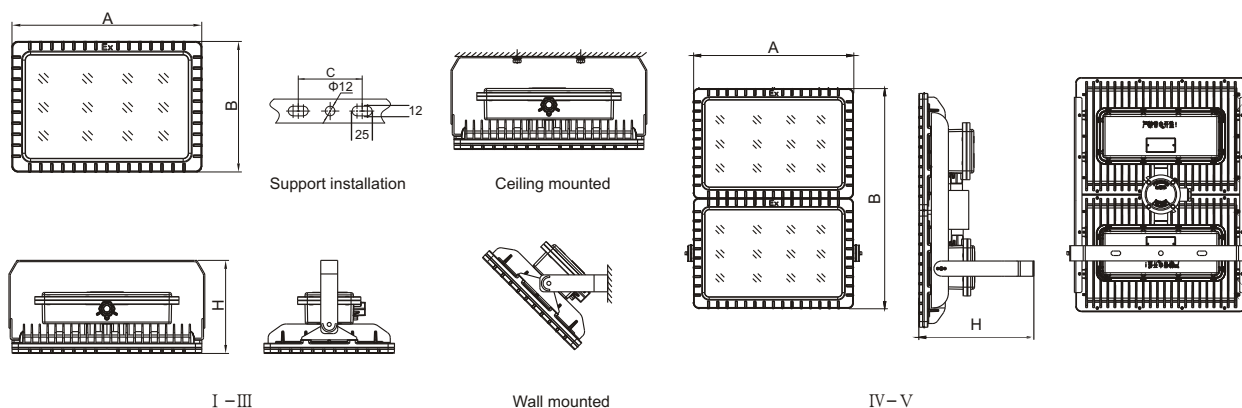


Structural Analysis



Lamps

Appearance and installation example



Number	Specifications	Type	Power Range (W)	A(mm)	B(mm)	C(mm)	H(mm)
1	BED51-100W	I	30~100	308	255	105	240
2	BED51-200W	II	110~200	448	308	150	220
3	BED51-320W	III	210~320	480	380	200	330
4	BED51-400W	IV	350~400	448	616	300	220
5	BED51-600W	V	450~600	480	760	300	330

Accessories selection table

Number	Name	Remarks
1	LED explosion-proof flood light (projection light)	/
2	Explosion proof junction box G3/4 tee	User option
3	Explosion proof flexible pipe G3/4NGD-20X500, one inside and one outside	Length can be customized