

BT35 series explosion-proof axial flow fan

Scope of application

1. Used in Zone 1 and Zone 2; Zone 21 and Zone 22; IIA, IIB, IIC;
2. Temperature group: T1~T4;
3. Suitable for energy saving renovation projects and places where maintenance and replacement are difficult;
4. Widely used in petroleum exploitation, refining, chemical industry, military industry, textile, food processing and offshore oil platform, tanker and other places of lighting.
5. Indoor and outdoor.



Ventilation

Model Selection Table

Model	Impeller diameter (mm)	Rated voltage (V)	Rated speed (r/min)	Impeller angle	Air volume (m ³ /h)	Total pressure (Pa)	Installed power (kW)
BT35-2#	200	380/220V	2800	43°	1230	112	0.09
			1450	43°	618	64	0.06
BT35-2.8#	280	380/220V	2800	35°	2921	190	0.25
			1450		1510	105	0.18
BT35-3.15#	315	380/220V	2800	35°	3074	218	0.37
			1450		1998	141	0.25
BT35-3.55#	355	380/220V	2800	35°	3367	246	0.37
			1450		2188	160	0.25
BT35-4#	400	380/220V	1450	35°	3560	260	0.37
BT35-4.5#	450	380	1450	38°	3450	142	0.37
				42°	4644	150	0.55
BT35-5#	500	380	1450	38°	7655	116	0.55
				43°	8316	123	0.75
BT35-5.6#	560	380	1450	43°	9581	173	0.75
				48°	11682	186	1.1
BT35-6.3#	630	380	1450	41°	10739	154	1.1
				45.2°	14454	160	1.5
BT35-7.1#	710	380	1450	40°	13400	178	1.1
			960	43.5°	16160	189	1.5
BT35-8#	800	380	960	46°	14498	123	1.1
				44°	31325	180	2.2
BT35-9#	900	380	960	44°	37073	248	4.0
				46°	35227	200	3.0
BT35-10#	1000	380	960	46°	39800	230	4.0
				46°	48300	247	5.5
BT35-11.2#	1120	380	960	46°	54300	268	7.5
				42°	56460	353	7.5
				46°	67892	415	11

Default air outlet direction of fan: front end of impeller

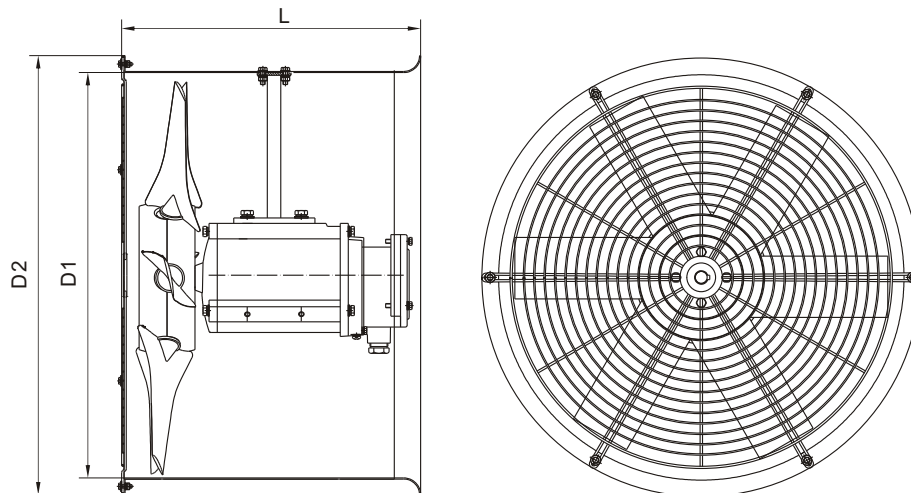
Feature of product

1. This series of ventilators are designed based on the three dimensional flow theory of turbomachinery, and the test data are carefully designed to ensure the excellent aerodynamic performance of the ventilator, featuring low noise, high efficiency, low vibration, low energy consumption, etc;
2. The ventilator is composed of explosion-proof motor, impeller, air duct, protective cover, etc;
3. For ventilation and exhaust, it can also be installed in series in a short exhaust pipe to increase the pressure of the pipe;
4. Default cable wiring. If steel pipe wiring is required, it should be noted when ordering.

Technical parameter

Explosion proof sign	Degree of protection	Rated frequency (S)	Cable outer diameter	Inlet thread
Ex db II CT4 Gb Ex tb III C T135°C Db	IP54	50	φ 10- φ 14	G3/4 or pressure plate

Appearance and installation examples



Machine No	L(mm)	D1(mm)	D2(mm)
2#	280	210	260
2.8#	280	290	340
3.15#	280	325	375
3.55#	320	365	415
4#	370	410	460
4.5#	370	460	510
5#	370	510	550
5.6#	450	570	620
6.3#	450	640	690
7.1#	450	720	770
8#	630	810	860
9#	630	910	960
10#	630	1010	1060
11.2#	630	1130	1180