

## BQC series explosion proof electromagnetic starter

### Scope of application

1. Used in Zone 1 and Zone 2; Zone 21 and Zone 22; IIA, IIB, IIC;
2. Temperature group: T1~T6;
3. Suitable for energy saving renovation projects and places where maintenance and replacement are difficult;
4. Widely used in petroleum exploitation, refining, chemical industry, military industry, textile, food processing and offshore oil platform, tanker and other places of lighting.



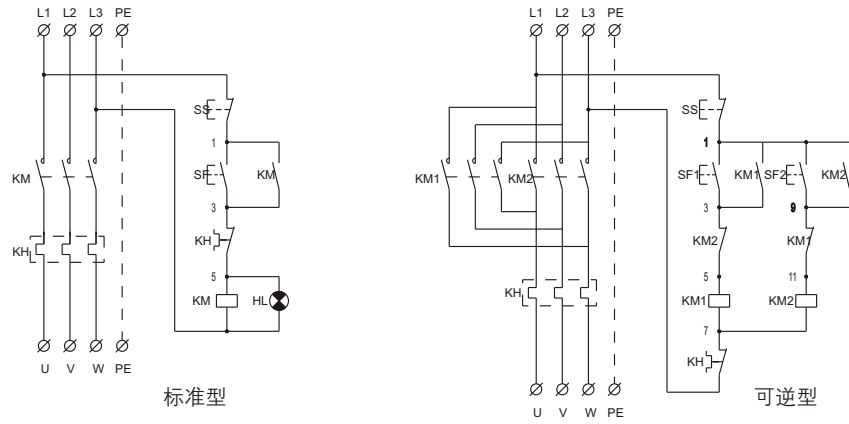
### Feature of product

1. Aluminum alloy die-casting shell, after high-speed shot peening, the surface is coated with high-voltage electrostatic spraying, which is corrosion resistant and anti-aging;
2. Exposed stainless steel fasteners with high anti-corrosion performance;
3. Built in AC contactor, thermal relay, self resetting universal transfer switch, and high breaking miniature circuit breaker when equipped with main switch;
4. It can control the direct start and stop of AC 50Hz, 380V three-phase asynchronous motor, and has overload, phase failure and voltage loss protection;
5. Remote control is available;
6. Steel pipe or cable wiring is acceptable.

### Technical parameter

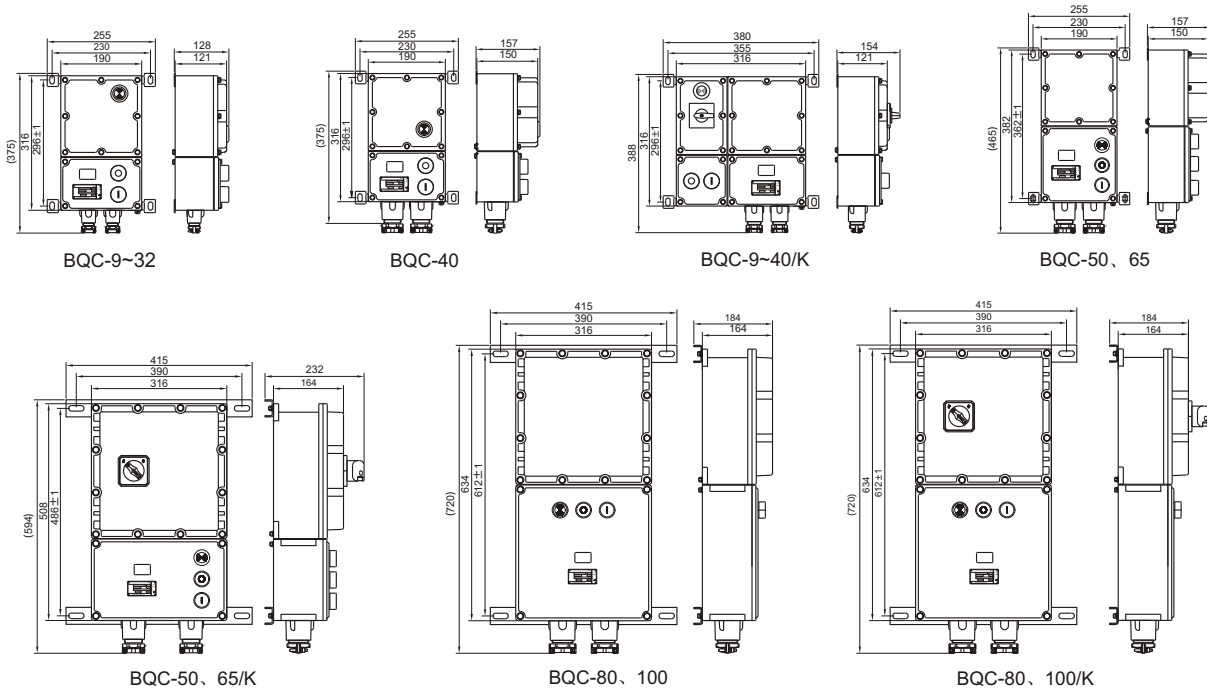
Model	Rated current	Adjustment range of thermal relay setting current	Maximum power of control motor	Cable outer diameter	Inlet thread
BQC-9/□	9A	6.8~11A	4kW	Φ10~Φ14mm	G3/4
BQC-12/□	12A	6.8~11A	5.5kW		
BQC-18/□	18A	10~16A	7.5kW		
BQC-22/□	22A	14~22A	11kW		
BQC-25/□	25A	20~32A	11kW	Φ12~Φ17mm	G1
BQC-32/□	32A	20~32A	15kW		
BQC-40/□	40A	28~45A	18.5kW	Φ15~Φ23mm	G1 1/4
BQC-50/□	50A	40~63A	22kW		
BQC-65/□	65A	40~63A	30kW	Φ18~Φ33mm	G1 1/2
BQC-80/□	80A	63~80A	37kW		
BQC-100/□	100A	80~100A	45kW		
BQC-9/□/N	9A	6.3~10A	4kW		
BQC-12/□/N	12A	8~12.5A	5.5kW	Φ10~Φ14mm	G3/4
BQC-18/□/N	18A	10~16A	7.5kW		
BQC-22/□/N	22A	12.5~20A	11kW		
BQC-25/□/N	25A	20~32A	11kW	Φ12~Φ17mm	G1
BQC-32/□/N	32A	20~32A	15kW		
BQC-40/□/N	40A	37~50A	18.5kW	Φ15~Φ23mm	G1 1/4
BQC-50/□/N	50A	37~50A	22kW		
BQC-65/□/N	65A	48~65A	30kW	Φ18~Φ33mm	G1 1/2
BQC-80/□/N	80A	63~80A	37kW		
BQC-100/□/N	100A	80~100A	45kW		

## Electrical schematic diagram

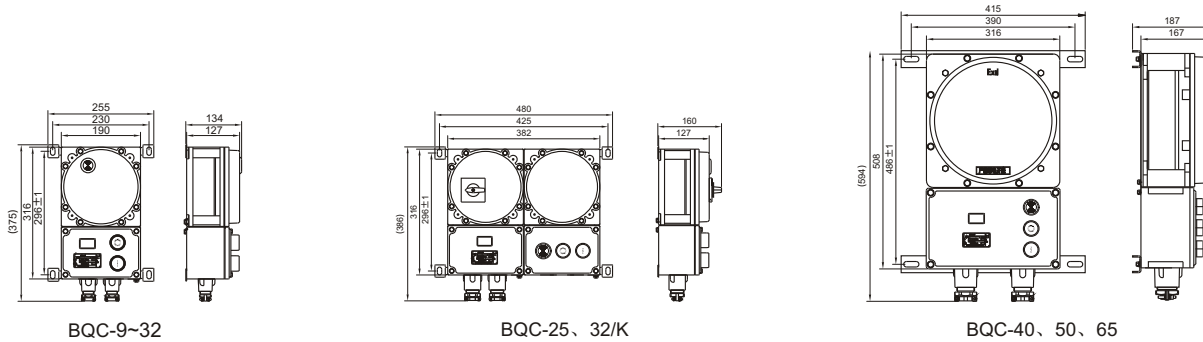


## Appearance and installation examples

Standard type IIB



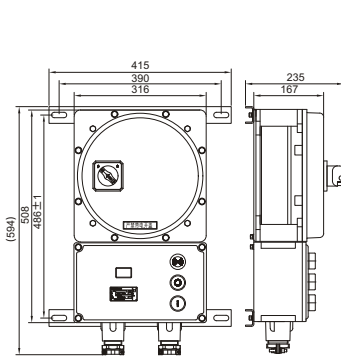
Standard type IIC



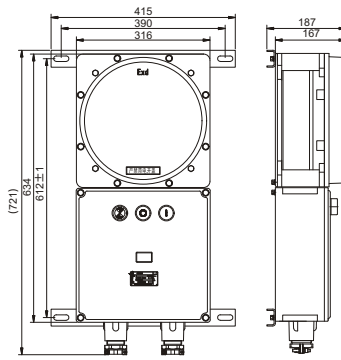
Electrical

## Appearance and installation examples

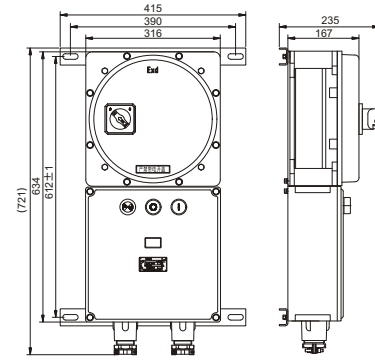
Electrical



BQC-40-65/K

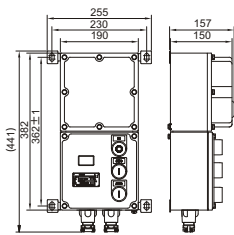


BQC-80, 100

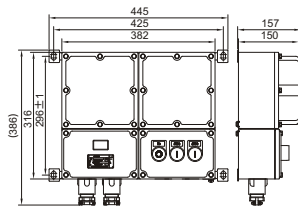


BQC-80, 100/K

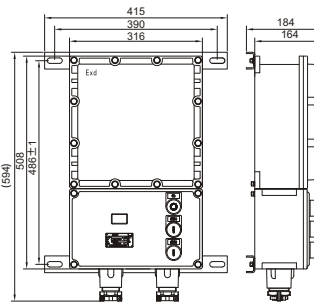
### Reversible type IIB



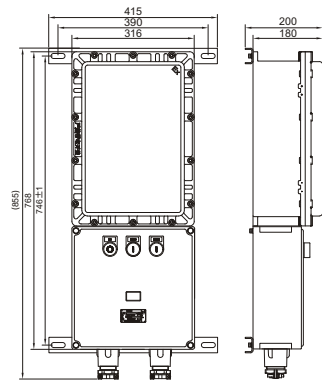
BQC-9-22/N



BQC-25, 32/N

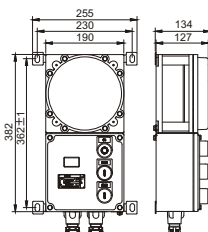


BQC-40-65/N

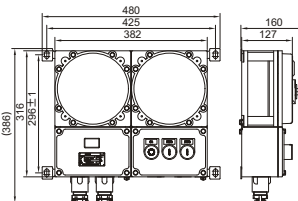


BQC-80, 100/N

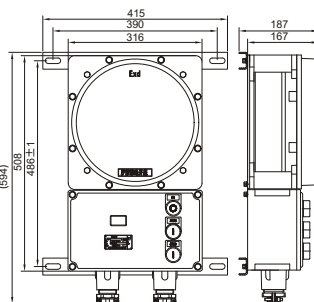
### Reversible type IIC



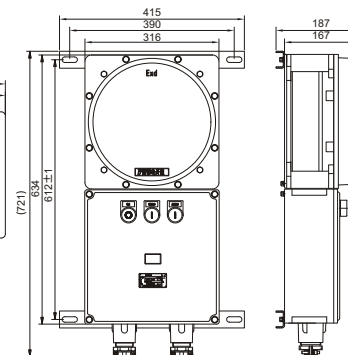
BQC-9-22/N



BQC-25, 32/N



BQC-40-65/N



BQC-80, 100/N