

BTS series explosion-proof rocker fan

Scope of application

1. Used in Zone 1 and Zone 2; Zone 21 and Zone 22; IIA, IIB, IIC;
2. Temperature group: T1~T4;
3. Suitable for energy saving renovation projects and places where maintenance and replacement are difficult;
4. Widely used in petroleum exploitation, refining, chemical industry, military industry, textile, food processing and offshore oil platform, tanker and other places of lighting.
5. Indoor and outdoor.

Ventilation



B: Wall mounted



L: Floor standing

Feature of product

1. The product is composed of explosion-proof motor, impeller, mesh cover, base, strong mounting plate, head shaking mechanism, etc;
2. The impeller is made of die-casting aluminum, which can effectively avoid sparks caused by friction;
3. Installation type: floor mounted and wall mounted;
4. Cable routing.

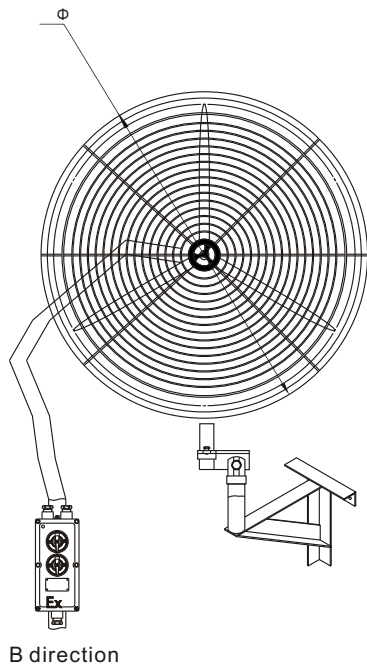
Technical parameter

Explosion proof sign	Degree of protection	Rated frequency (S)	Cable outer diameter	Inlet thread
Ex db II BT4 Gb Ex tb III C T135°C Db	IP54	50	φ 10-φ 14	G3/4 or pressure plate

Model Selection Table

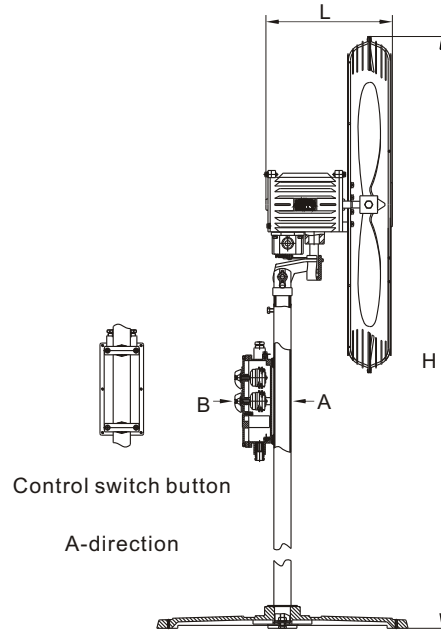
Model	Impeller diameter (mm)	Motor power (kw)	Rated voltage (V)		Rated speed (r/min)	Air volume (m ³ /h)
			three-phase	single-phase		
BTS-500	500	250	380	220	1450	6800
BTS-600	600	400			1450	9650
BTS-750	750				1450	18500

Appearance and installation examples



B direction

B: Wall mounted



Control switch button

A-direction

L: Floor standing

Model	L(mm)	Φ(mm)	H(mm)
BTS-500	345	548	1312
BTS-600	345	648	1362
BTS-750	345	810	1443