

LA53 Explosion proof Control Button

Scope of application

1. Used in Zone 1 and Zone 2; Zone 21 and Zone 22; IIA, IIB, IIC;
2. Temperature group: T1~T6;
3. Suitable for energy saving renovation projects and places where maintenance and replacement are difficult;
4. Widely used in petroleum exploitation, refining, chemical industry, military industry, textile, food processing and offshore oil platform, tanker and other places of lighting.

Electrical



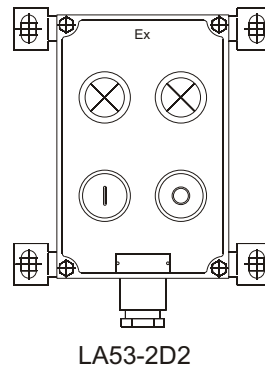
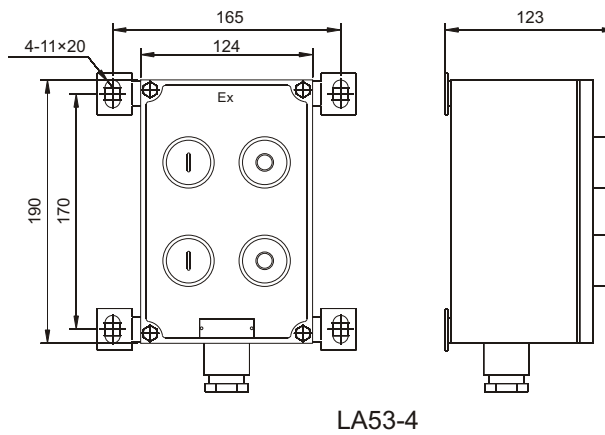
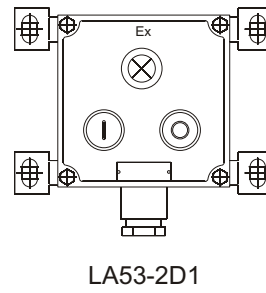
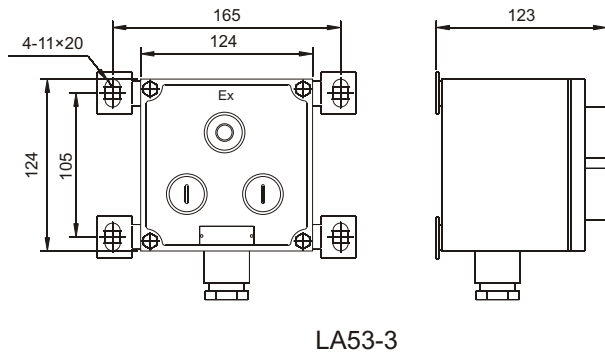
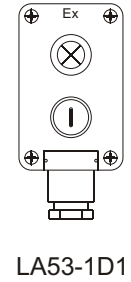
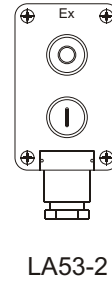
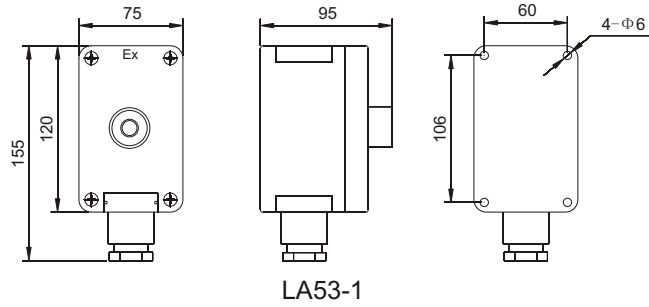
Feature of product

1. Aluminum alloy die-casting shell, high-speed shot blasting, high-voltage electrostatic plastic spraying on the surface, corrosion resistance and aging resistance.
2. Exposed stainless steel fasteners have high anti-corrosion performance.
3. This series of products adopts built-in explosion-proof button.
4. The shell and cover adopt curved sealing structure, which has good waterproof and dustproof performance.
5. Steel pipe or cable wiring is acceptable.

Technical parameter

Rated voltage	Rated current	Explosion proof sign	Degree of protection	Anti corrosion grade	Cable outer diameter	Inlet thread
220V/380V	10A	Ex db eb II C T6 Gb Ex tb III C T80 °C Db	IP65 *IP66	WF1 *WF2	Φ10~Φ14mm	G3/4

Appearance and installation examples



Electrical