

## BDZ52, BDZ53 series explosion proof circuit breaker

### Scope of application

1. Used in Zone 1 and Zone 2; Zone 21 and Zone 22; IIA, IIB, IIC;
2. Temperature group: T1~T6;
3. Suitable for energy saving renovation projects and places where maintenance and replacement are difficult;
4. Widely used in petroleum exploitation, refining, chemical industry, military industry, textile, food processing and offshore oil platform, tanker and other places of lighting.



### Feature of product

1. Aluminum alloy die-casting shell, after high-speed shot peening, the surface is coated with high-voltage electrostatic spraying, which is corrosion resistant and anti-aging;
2. Exposed stainless steel fasteners with high anti-corrosion performance;
3. The overall structure of this series of products is composite, the main chamber is explosion-proof, and the wiring chamber is of increased safety structure;
4. High breaking miniature circuit breaker or molded case circuit breaker is installed inside, and PC operating handle is installed on the housing cover, which is simple and reasonable in structure, strong in versatility, and easy to operate;
5. The sealing strip adopts the advanced process of linear foaming one-time forming, with high protection performance;
6. Steel pipe or cable wiring is acceptable.

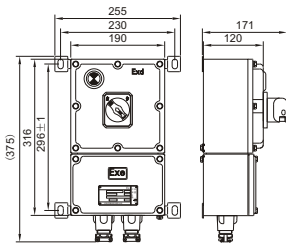
### Technical parameter

Model	Rated voltage	Explosion proof sign	Degree of protection	Anti corrosion grade
BDZ52	220V 380V	Ex db eb II B T4 Gb Ex tb III C T130°C Db	IP66	WF1 *WF2
BDZ53		Ex db eb II C T4 Gb Ex tb III C T130°C Db		

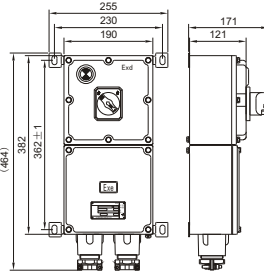
Shell frame grade	Rated current	Inlet thread	Cable outer diameter
32	1A, 2A, 4A, 6A, 10A, 16A	G3/4	Φ10~Φ14mm
	20A, 25A	G1	Φ12~Φ17mm
	32A	G1 1/4	Φ15~Φ23mm
63	40A, 50A, 63A	G1 1/2	Φ18~Φ33mm
100	80A, 100A	G2	Φ26~Φ43mm
250	125A, 160A	G2	Φ26~Φ43mm
	180A, 200A, 250A	G2 1/2	Φ30~Φ50mm
400	315A, 350A	G3	Φ38~Φ57mm
	400A	G4	Φ48~Φ80mm
630	500A, 630A	G4	Φ48~Φ80mm

## Appearance and installation examples

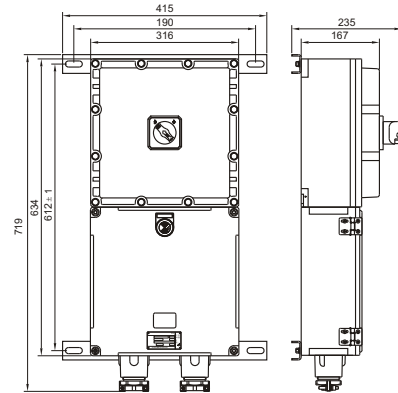
Electrical



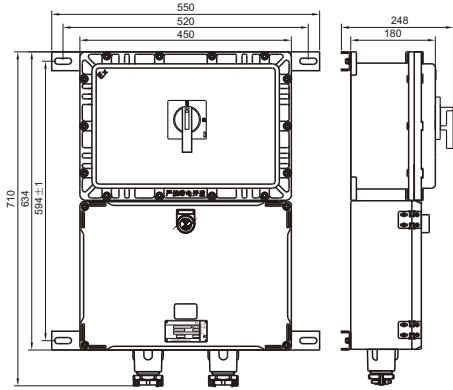
BDZ52-32XX  
BDZ52-32XXL



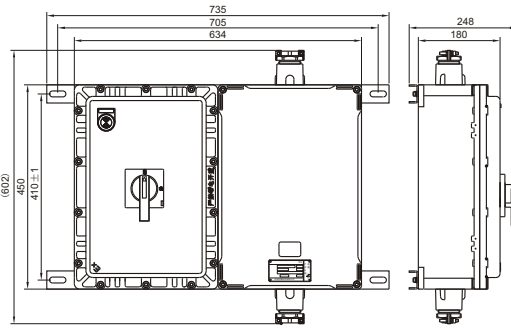
BDZ52-63XX  
BDZ52-63XXL



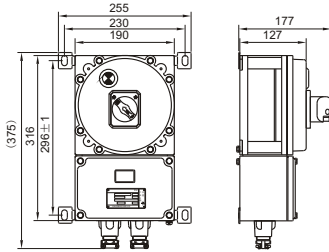
BDZ52-100XX  
BDZ52-100XXL



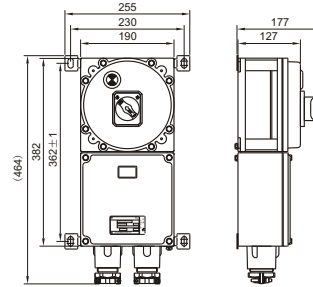
BDZ52-250XX  
BDZ52-250XXL



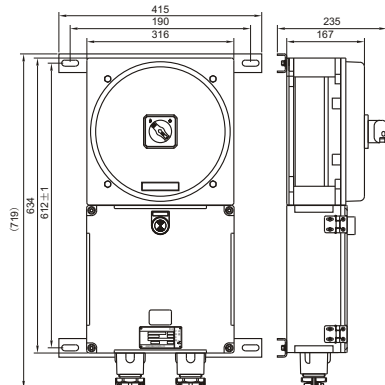
BDZ52-250XD  
BDZ52-250XDL



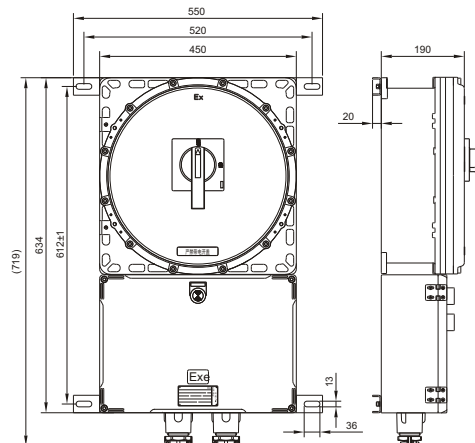
BDZ53-32XX(II C)  
BDZ53-32XXL(II C)



BDZ53-63XX(II C)  
BDZ53-63XXL(II C)



BDZ53-100XX(II C)  
BDZ53-100XXL(II C)



BDZ53-250XX(II C)  
BDZ53-250XX(II C)