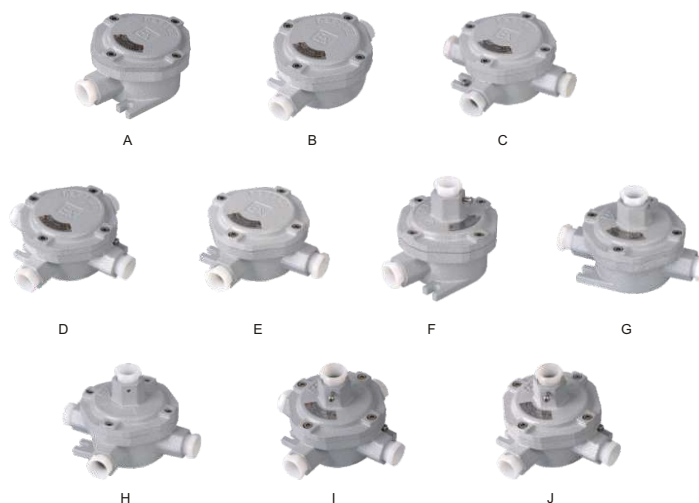


## AH series explosion-proof junction box

### Scope of application



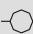
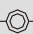
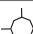
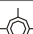
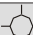

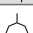

1. It is applicable to the places in Zone 1 and Zone 2 of explosive gas environment;
2. It is applicable to the places in Zone 21 and 22 of combustible dust environment;
3. Suitable for IIA, IIB and IIC explosive gas environment;
4. Applicable to T1-T6 temperature group;
5. It is applicable to dangerous environments such as oil exploitation, oil refining, chemical industry, military Industry, offshore oil platforms, oil tankers, metal processing, etc. as the connection and turning direction change of steel pipe wiring.



### Feature of product

1. Aluminum alloy die-casting shell, after high-speed shot peening, the surface is subject to high-voltage electrostatic spraying;
2. Exposed stainless steel fasteners with high anti-corrosion performance;
3. There are many ways and specifications for the inlet and outlet;
4. Inlet and outlet threads can be specially made into metric threads, NPT threads and other forms;
5. Steel pipe or cable wiring is acceptable.

### Model Selection Table

Code	Symbol	Name	Code	Symbol	Name
A		One leveling	F		One way crane
B		Straight two-way flat	G		Straight two-way crane
C		Tee leveling	H		Tee crane
D		Cross leveling	I		Four-way crane
E		Right angle two-way flat	J		Right angle two-way crane

### Technical parameter



II B



II C

Explosion proof sign: Ex db II B T6 Gb / Ex tb III CT80 C Db

Explosion proof sign: Ex db II C T6 Gb / Ex tb III CT80 C Db

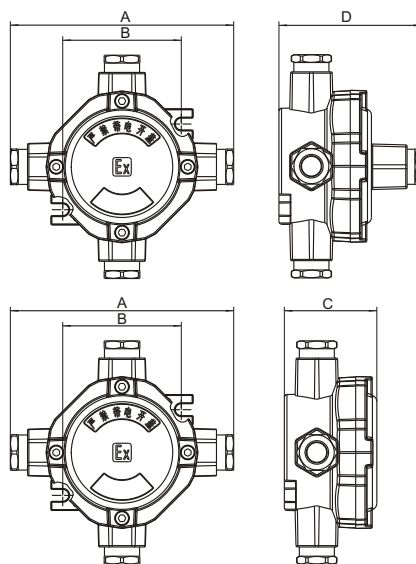
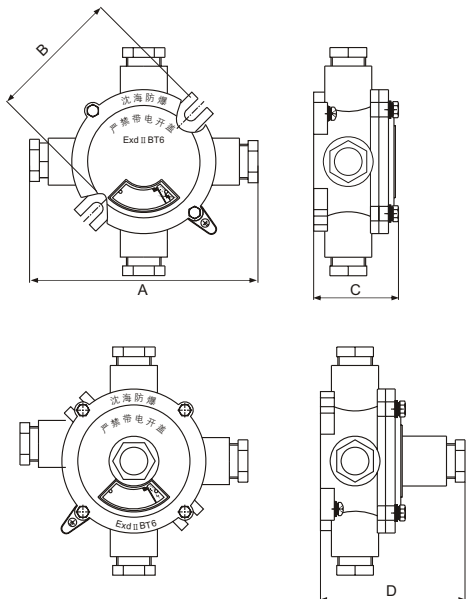
Rated voltage: 380/220V; Rated current: 20A; Degree of protection: IP54、IP66;

Thread size: G1/2~G2

Number of terminal blocks: 4

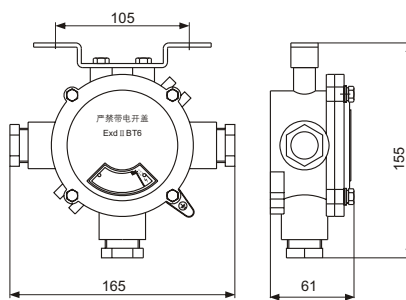
## Appearance and installation examples

Product appearance

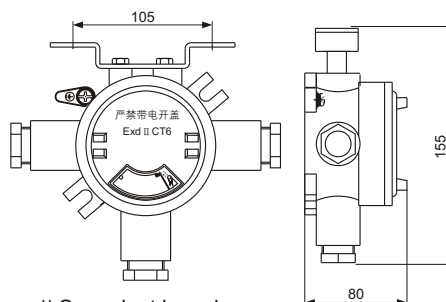


Pipe fitting

Cable specification(φmm)	Pipe thread(G)	A	B	C	D	Cable specification(φmm)	Pipe thread(G)	A	B	C	D
7-10	G 1/2	165	95	62	/	7-10	G 1/2	170	89.6	70	/
10-14	G 3/4	165	95	62	105	10-14	G 3/4	170	89.6	70	125
12-17	G 1	175	95	67	110	12-17	G 1	185	97.6	78	/
15-23	G 1 1/4	198	110	85	/	15-23	G 1 1/4	185	97.6	78	/
18-33	G 1 1/2	198	120	85	/	18-33	G 1 1/2	198	107	85	/
26-43	G 2	230	130	100	/	26-43	G 2	230	130	100	/



II B pendant lamp box



II C pendant lamp box